

SnoClea 2.67

For Mechanically Fastened
2.67 Corrugated Roof Panels

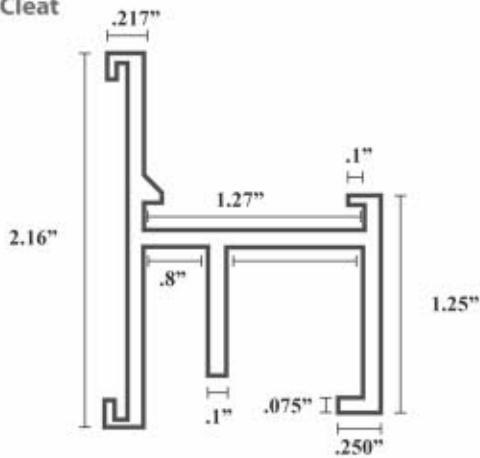


1 (800) 766-5291
(717) 737-4398

www.SNOBLOX-SNOJAX.com



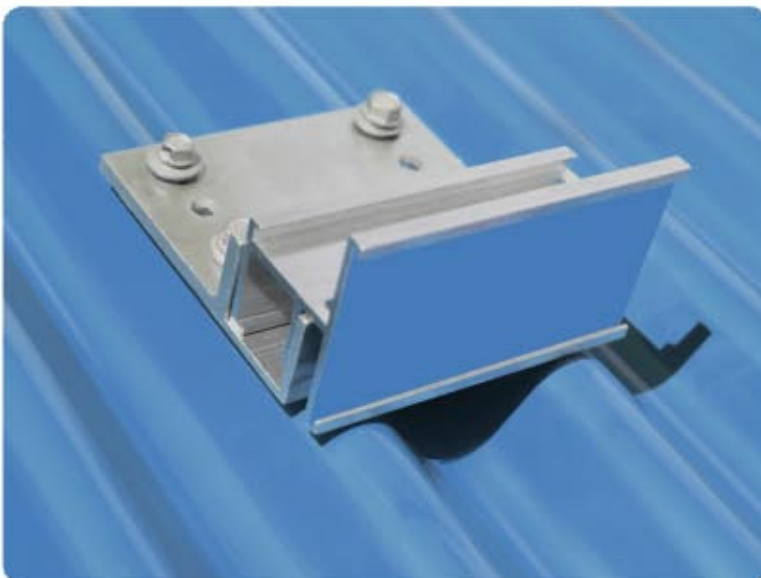
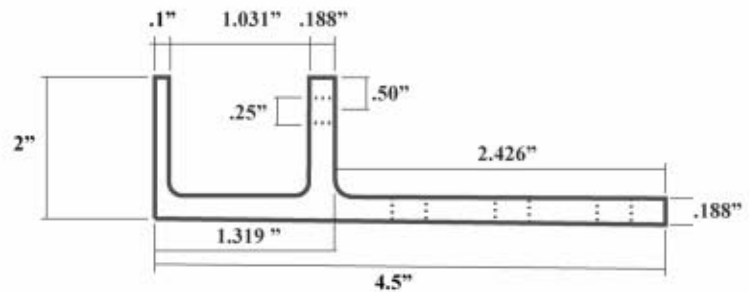
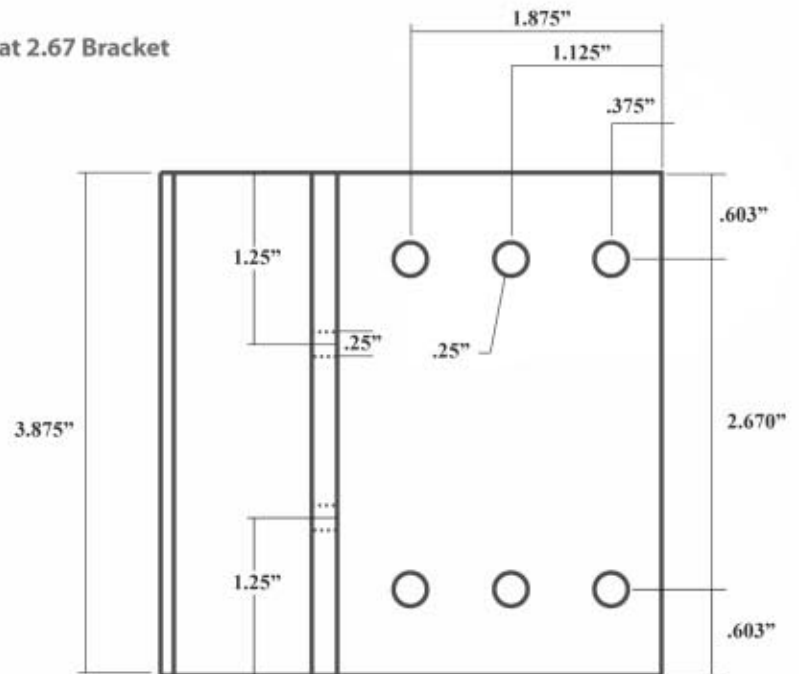
SnoClea



* 3.875" Length

* 2" Wide Channel In Front Face For ColorStrip

SnoClea 2.67 Bracket



The SnoClea 2.67 is a screw-down pad style snow guard specifically designed for mechanically fastened 2.67 corrugated metal roofs. This device is mechanically fastened into a structural support using four #14 roofing screws with neoprene washers. Two additional fasteners may be added if extra holding strength is desired. A foam gasket is supplied for a weather tight seal between the guard and the panel. No glue or liquid sealant is required. The SnoClea 2.67 features a large 4-Inch-wide face designed to accept a 2-inch-wide color strip to match your roof.

The SnoClea 2.67 is for screw down applications only and adhesive mounting of this guard is not recommended. The installation of snow guards in isolated roof areas such as chimneys, doorways, vents and partial roof sections is not recommended. Mounting screws are sold separately. Always contact the manufacturer for proper spacing layouts.

- 6063-T5 Aircraft Grade Aluminum Components w/ galvanized fasteners
- Large 4-Inch-Wide Face Accepts Color Strip for Color Matching
- The only aluminum snow guard made for 2.67 corrugated metal roofing.
- Made In The U.S.A