

# Ventsaver-HD

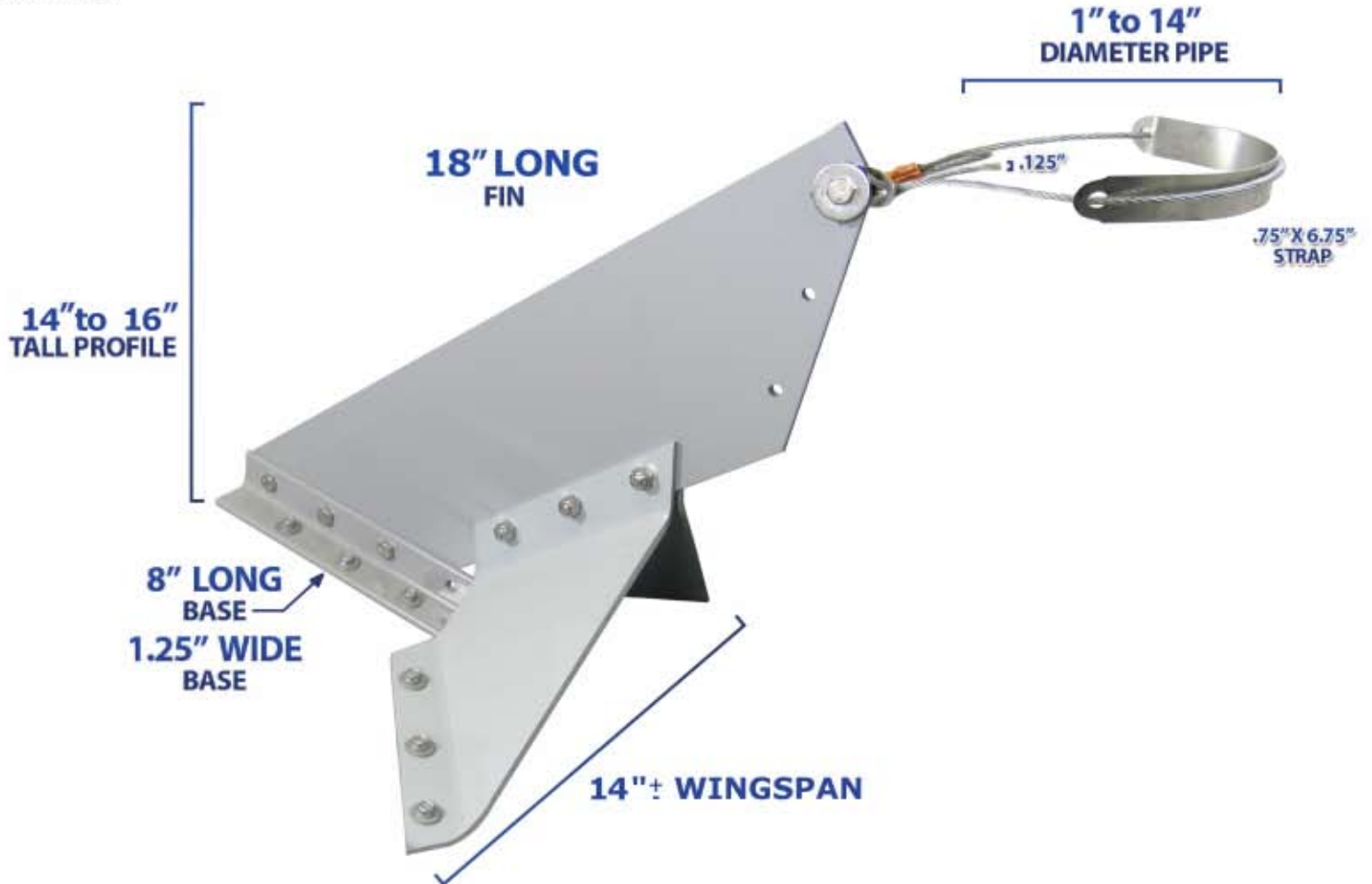
Vent Pipe Protection. Cricket Eliminator.



1 (800) 766-5291

(717) 737-4398

www.SNOBLOX-SNOJAX.com



The largest of the three models, recommend for extreme snow conditions. The VentSaver HD Series is made from non-corrosive, powder-coated aluminum and stainless steel aircraft cable. Also provided are stainless steel nuts, bolts and heavy duty 1 1/2" lag screws. The HD Series will fit any roof pitch and an infinite array of sizes from 1" to 14" around. The massive fin has a 14" standing profile that is designed to protect taller roof stacks, chimneys, gas vents and masts. The beauty of the HD Series is the variety of applications it will fit as well as the ease of installation.

Additional Information: Designed to fit vents, chimneys or stack pipes that measure 1" - 14" across. Protects a standing profile of approximately 14" and includes a snow diverter wing kit for panel valleys measuring 14" or wider. Please note that there is a minimum of 14" of flat area required between the major ribs, centered behind the pipe, to use the snow diverter wing kit. Wing kit spacers are provided to straddle minor ribs, if present in the panel. The use of the wing kit is optional and is not required.