

# Ventsaver HD-C

Vent Pipe Protection. Cricket Eliminator.

**SNOBLOX**  
**JAX**

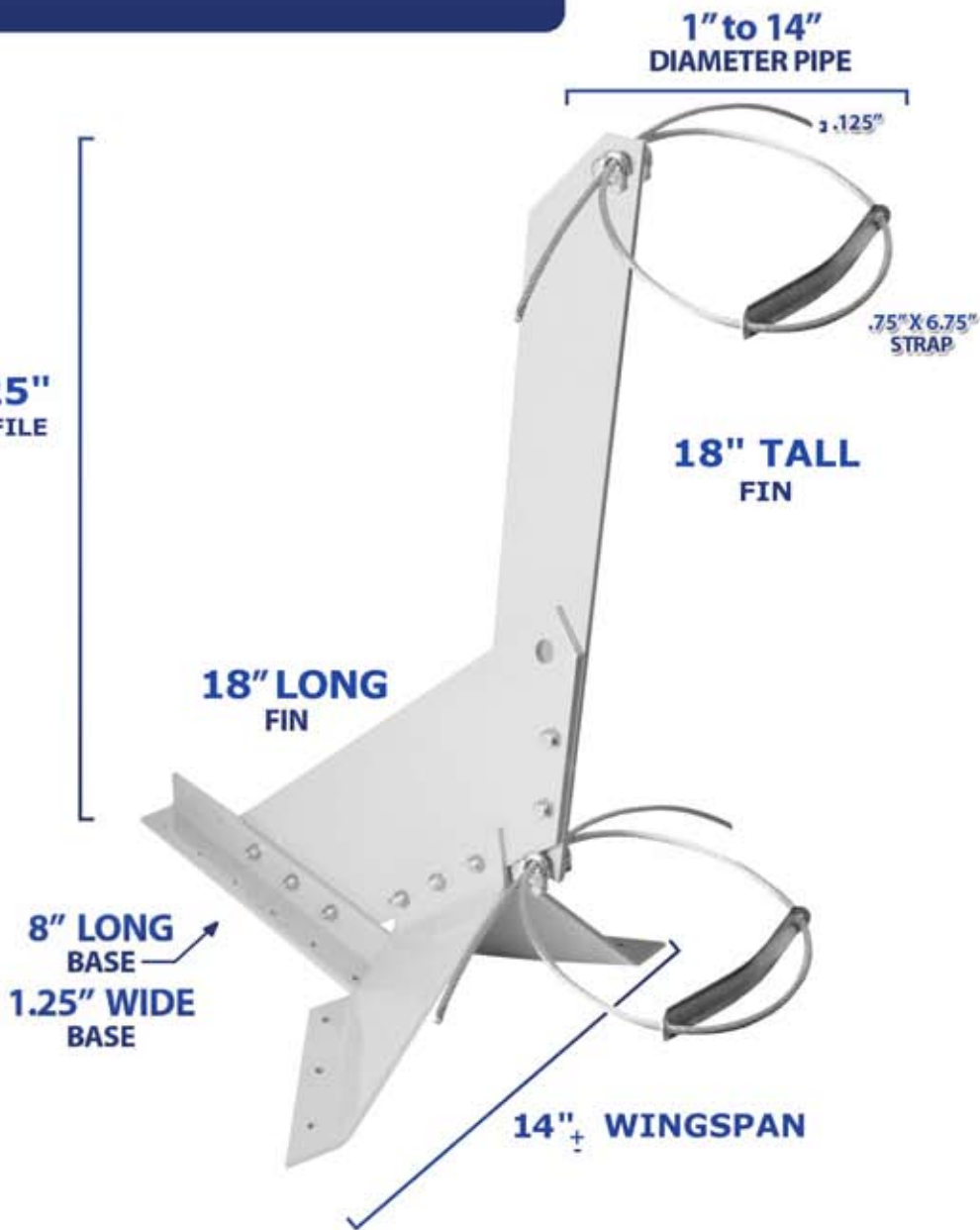
1 (800) 766-5291

(717)737-4398

www.SNOBLOX-SNOJAX.com



**23" - 25"**  
TALL PROFILE



Recommended for the most extreme snow conditions, the VentSaver HD-C offers the trusted strength of the VentSaver HD with additional height for taller applications. The VentSaver HD-C is made from non-corrosive, powder-coated aluminum and stainless steel aircraft cable. Also provided are stainless steel nuts, bolts and heavy duty 1 1/2" lag screws. The HD-C will fit any roof pitch and an infinite array of sizes from 1" to 14" across. The combined massive fins have a 23" - 25" standing profile that is designed to protect taller roof stacks, chimneys, gas vents and masts.

Additional Information: Designed to fit vents, chimneys or stack pipes that measure 1" - 14" across with the included 45" long stainless steel cables. Protects a standing profile of approximately 23" - 25" and includes a snow diverter wing kit for panel valleys measuring 14" or wider. Please note that there is a minimum of 14" of flat area required between the major ribs, centered behind the pipe, to use the snow diverter wing kit. Wing kit spacers are provided to straddle minor ribs, if present in the panel. Installation of the wing kit is required with the HD-C. The C-Kit Vertical Fin can be purchased separately and mounted to an existing VentSaver HD. Installation of the C-Kit on other VentSaver Models is not recommended.