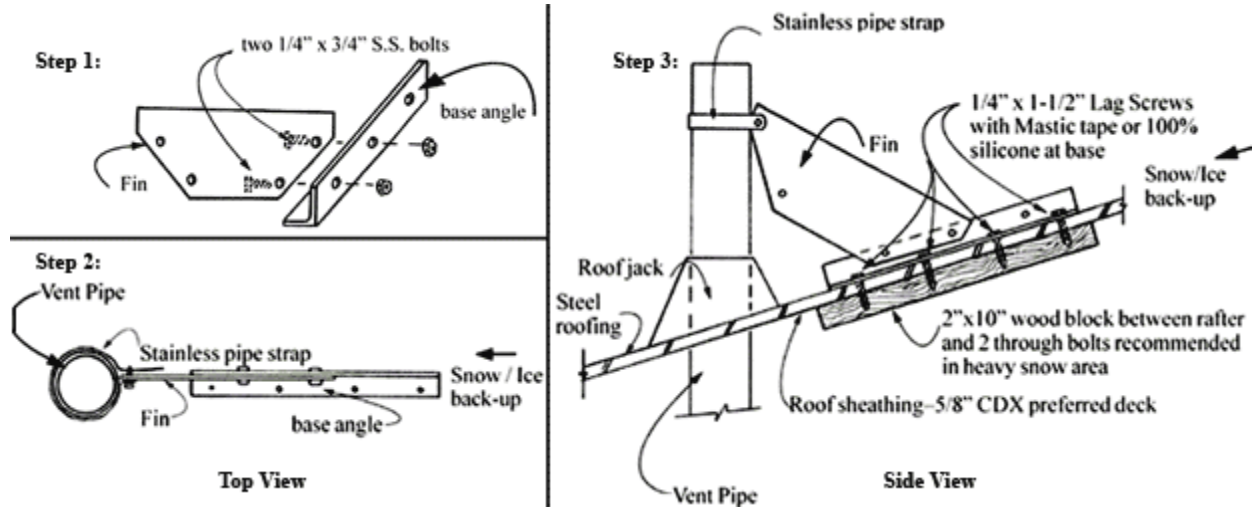


VentSaver FB-151 Installation Method

Mount VentSaver FB-151 in 3 Easy Steps: Recommended Tools: Cordless drill with 5/16" driver, tin snips, two 7/16" wrenches, caulk gun



1. Attach FIN to BASE ANGLE

Assemble with two 1/4" X 3/4" S.S. bolts.

NOTE: In case of rib obstruction, base angle is reversible.

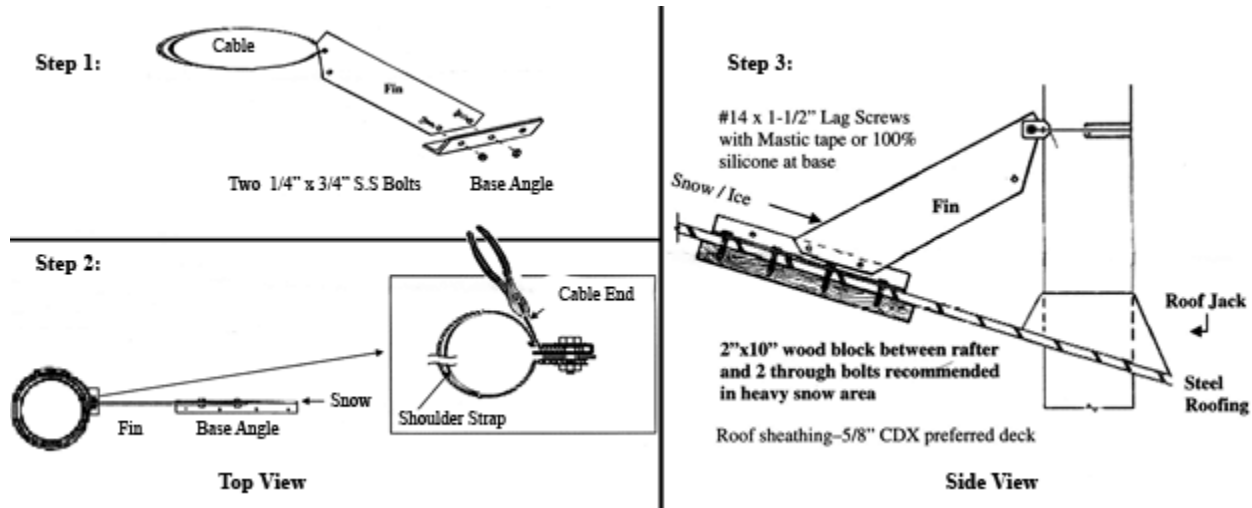
2. Base Installation: Put sealant on bottom of base angle. Place Ventsaver centered behind pipe and fasten base to roof with the four 1 1/2" lag screws.

3. Strap Installation: Put 1/4" X 3/4" bolt through the bent end of the strap. Install as illustrated in TOP VIEW. Cut off excess strap. For vent pipes cut pipe off 2" to 3" above the Ventsaver.

Check all fasteners for tightness!

VentSaver P-383 Installation Method

Mount VentSaver P-383 in 3 Easy Steps: Recommended Tools: Cordless drill with 5/16" driver, tin snips, two 7/16" wrenches, caulk gun



1. Attach FIN to BASE ANGLE

Assemble with two 1/4" X 3/4" S.S. bolts.

NOTE: In case of rib obstruction, base angle is reversible.

2. Base Installation: Put sealant on bottom of base angle. Place cable over chimney or vent with Ventsaver centered behind and close to pipe. Fasten base to roof with the four 1 1/2" lag screws.
Note: If unable to fit the cable over the top of the pipe, detach the cable eye by removing the nut. Wrap the cable around the pipe and reassemble tightly.

3. Pull on cable end with pliers until snug. Keep shoulder strap on the opposite side of the pipe from the Ventsaver. Tighten nut and bolt firmly. Trim Excess cable.

Note: For smaller applications, cut and remove stainless steel shoulder strap attached to cable.

Check all fasteners for tightness!

Warranty: The following warranty is made in lieu of all other warranties expressed or implied. Recommendations for proper use of the product are based on tests believed to be reliable. Any goods proven to be defective due to materials will be replaced, or purchase price refunded, but in no event shall the manufacturer be responsible for damages in excess of the purchase price. User shall determine the suitability of the product for its intended use and assumes all risks of its use or handling.